



35050 PIR MOTION SENSOR

The Passive Infra-Red (PIR) sensor is a +5V motion detection sensor that outputs a single status bit when it has been tripped. This is a great sensor for home automation. The long range and wide angle makes it easy to cover a wide area.

Features:

- IC soft package by dice bonding technique
- Small size: 25 x 35mm
- Ball lens is included as standard configuration
- 3 leads flat cable for easy connection
- 4 mounting holes on board
- High Sensitivity
- High immunity to RFI
- Power up delay to prevent from false triggering
- Output High for direct connect to control panel

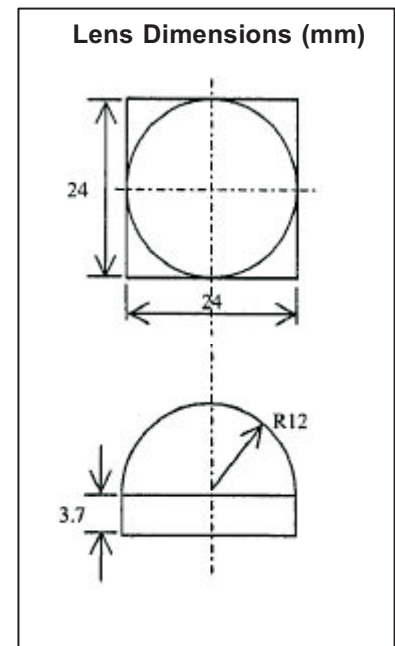


Specification:

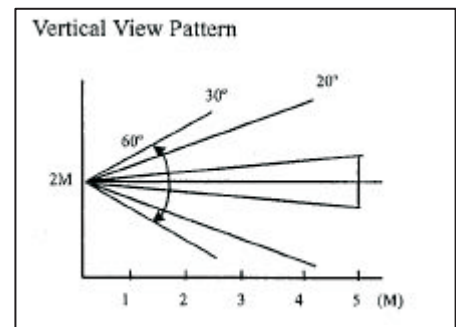
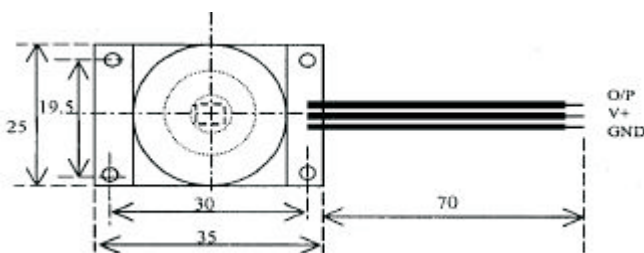
	Min	Typ	Max	Unit
Operation Voltage	4.7	5	12	V
Standby Current (no load)		300		nA
Output Pulse Width	0.5			Sec
Output High Voltage		5		V
Detection Range		5		M
Operation Temperature	-20	25	50	°C
Humidity Range			95	%

Standard Configuration:

Lens	Ball lens of 60° detection angle
Connector	3 leads flat cable, Power, GND, O/P



Mechanical Dimensions:



Application Note:

1. The PIR sensor is sensitive to rapid changes in temperature. This device should not be used where rapid environmental temperature changes, strong shock, or vibrations can occur. Do not expose to direct sunlight or automobile headlights. Do not expose to the air output from heaters or air conditioners.
2. This module is designed for indoor use. If using outdoors, make sure to apply a suitable supplemental optical filter and drop-proof anti-dew construction.
3. Detection range may vary in different environmental temperatures and conditions.